

HEAVY DUTY STACKER



- Manoeuvrable and easy to use the stackers lift from 350kg to 1000kg
- Lift heights available from 1500mm to 3300mm
- High quality robust construction
- Ideal for use in confined spaces
- Available with fixed forks and wrapover legs or adjustable forks with wide straddle legs
- Manual or battery electric powered operation
- Optional extras available
- Quality British design and manufacture

Technical Features:

Fixed wrapover forks for use with Euro Pallets, two way non-reversible pallets without bottom boards, post and box pallets and stillages.

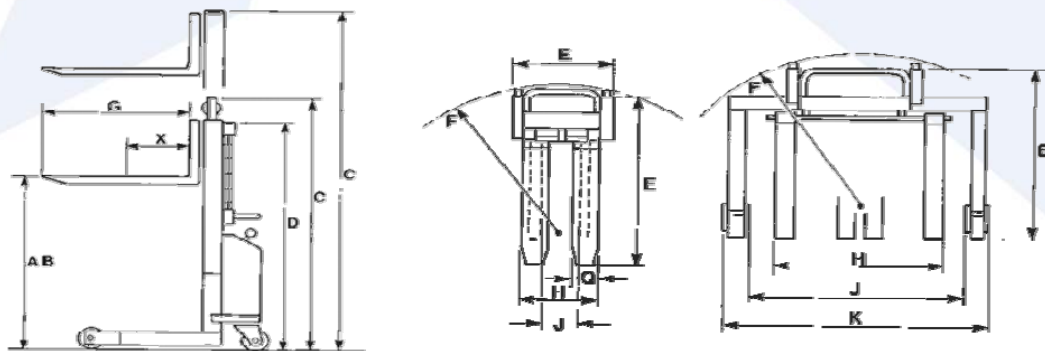
Adjustable forks and wide straddle legs for use with any type of pallet including those with perimeter base boards (GKN type) subject to internal straddle width and fork length. 1320mm between legs as standard.

- Can be used safely at any height
- Fitted with one braked wheel and toe guards as standard for added operator safety
- All models fitted with a slow lowering valve to control lowering speed
- Heavy duty castor wheels run on sealed ball races
- Telescopic gives maximum lift combined with low closed height
- Adjustable forks fit between the legs and are manually adjusted
- Battery electric model supplied with heavy duty 70/amp hr traction battery and separate volt charger



Fixed mast unit technical specification:

Machine Type				Fixed Wrapover Forks					
Capacity KG	Operation	C/D O/A height of machine when forks Raised / Lowered	Reference	Free Lift	B Raised Height	Weight KG	E O/A W x L	Load Centre	F Turning Radius
500	Manual	2130/1940	ST-500-1500-M	1120	1500	159	700x1620	500	1150
	Manual	2710/2550	ST-500-2100-M	1780	2100	199	930x1660	500	1150
700	Electric	2130/1940	ST-700-1500-E	1120	1500	212	700x1620	500	1150
	Electric	2710/2550	ST-700-2100-E	1780	2100	252	930x1660	500	1150
1000	Manual	2130/1940	ST-1000-1500-M	1120	1500	270	700x1620	500	1150
	Electric	2130/1940	ST-1000-1500-E	1120	1500	300	700x1620	500	1150
	Manual	2710/2550	ST-1000-2100-M	1780	2100	330	930x1660	500	1150
	Electric	2710/2550	ST-1000-2100-E	1780	2100	360	930x1660	500	1150
Closed Fork Height		A	90						
Lift Speed		-	Manual = 17 / stroke, Elec = 166 / sec						
Fork Length		G	1140						
Width Across Forks		H	528						
Ford W x D		Q	160 x 50						
Width Between Legs		J/K	Inside 260 / Outside 480						
Castor Wheels		-	150 dia, 1 Braked (Nylon)						
Load Roller Dia x L		-	80 x 75 (Nylon)						
Machine Type				Wide Straddle With Adjustable Forks					
Capacity KG	Operation	C/D O/A height of machine when forks Raised / Lowered	Reference	Free Lift	B Raised Height	E Weight KG	O/A W x L	Load Centre	F Turning Radius
500	Manual	2130/1940	ST-500-1500-M-ADJ	1090	1450	179	1550 X 1620	500	1400
	Manual	2710/2550	ST-500-2100-M-ADJ	1780	2050	213	1550 X 1620	500	1400
700	Electric	2130/1940	ST-700-1500-E-ADJ	1090	1450	232	1550 X 1620	500	1400
	Electric	2710/2550	ST-700-2100-E-ADJ	1780	2050	272	1550 X 1620	500	1400
1000	Manual	2130/1940	ST-1000-1500-M-ADJ	1090	1450	330	1550 X 1620	500	1400
	Electric	2130/1940	ST-1000-1500-E-ADJ	1090	1450	360	1550 X 1620	500	1400
	Manual	2710/2550	ST-1000-2100-M-ADJ	1780	2050	360	1550 X 1620	500	1400
	Electric	2710/2550	ST-1000-2100-E-ADJ	1780	2050	390	1550 X 1620	500	1400
Closed Fork Height		A	85						
Lift Speed		-	Manual = 17 / stroke, Elec = 166 / sec						
Fork Length		G	1000						
Width Across Forks		H	740 Max						
Ford W x D		Q	80 x 40						
Width Between Legs		J/K	Inside 1320 / Outside 1520						
Castor Wheels		-	150 dia, 1 Braked (Nylon)						
Load Roller Dia x L		-	200 x 50 (Nylon)						



Telescopic mast unit technical specification:

Fixed Wrapover Forks									
Capacity KG	Operation	C/D O/A height of machine when forks Raised / Lowered	Reference	Free Lift	B Raised Height	Weight KG	E O/A W x L	Load Centre	F Turning Radius
350	Bat/Elec	3355/1960	ST-350-2920-E	Nil	2920	528	950x1580	500	1150
800	Bat/Elec	3860/2200	ST-800-3300-E	Nil	3300	430	950x1580	500	1150
Closed Fork Height		A	90						
Lift Speed		-	Manual = 17 / stroke, Elec = 166 / sec						
Fork Length		G	1140						
Width Across Forks		H	528						
Ford W x D		Q	160 x 50						
Width Between Legs		J/K	Inside 260 / Outside 480						
Castor Wheels		-	150 dia, 1 Braked (Nylon)						
Load Roller Dia x L		-	80 x 75 (Nylon)						

Wide Straddle With Adjustable Forks									
Capacity KG	Operation	C/D O/A height of machine when forks Raised / Lowered	Reference	Free Lift	B Raised Height	E Weight KG	O/A W x L	Load Centre	F Turning Radius
350	Bat/Elec	3355/1960	ST-350-2920-E-ADJ	Nil	2920	563	1550x1620	500	1400
800	Bat/Elec	3860/2200	ST-800-3300-E-ADJ	Nil	3300	480	1550x1620	500	1400
Closed Fork Height		A	85						
Lift Speed		-	Manual = 17 / stroke, Elec = 166 / sec						
Fork Length		G	1000						
Width Across Forks		H	740 Max						
Ford W x D		Q	80 x 40						
Width Between Legs		J/K	Inside 1320 / Outside 1520						
Castor Wheels		-	150 dia, 1 Braked (Nylon)						
Load Roller Dia x L		-	200 x 50 (Nylon)						

Optional Extras

- Crane Jib X x Y = 560 x 550 W x V = 175 x 280
- Steel Platform A x B = 1150 x 550*
- Roller Conveyor Platform Plastic Rollers* Dimensions A x B = 1150 x 555
- *Available for fixed fork models only
- Special fork lengths & straddle widths available on request, please ask for details.

